

THIS DRAWING IS UNPUBLISHED.

RELEASED FOR PUBLICATION

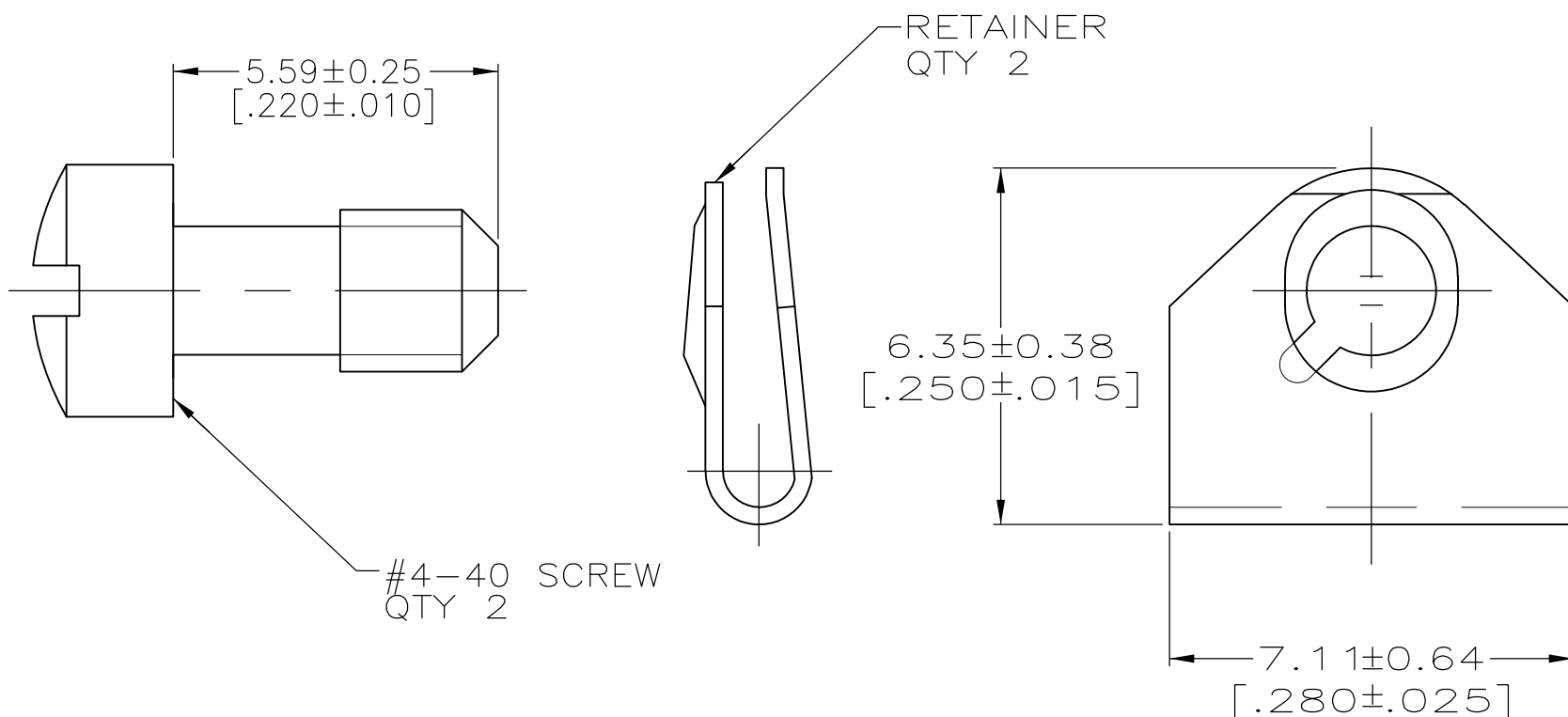
© COPYRIGHT - By -

ALL RIGHTS RESERVED.

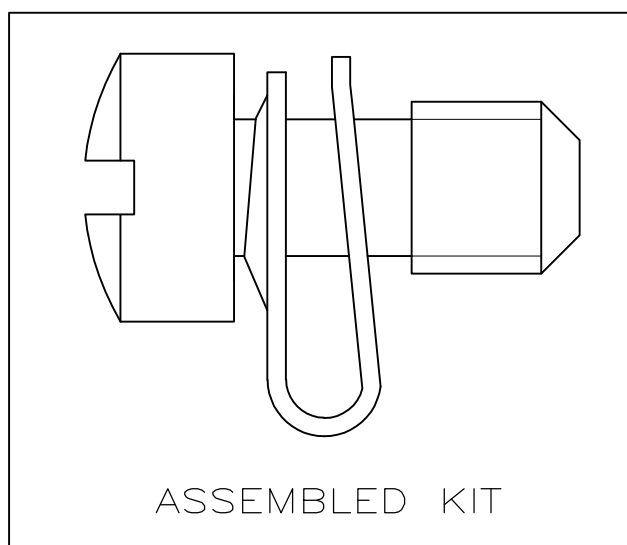
LOC GP DIST 00

REVISIONS

P	LTR	DESCRIPTION	DATE	DWN	APVD
P		REVISED PER ECO-11-004835	11MAR11	RK	HMR



- 1. PARTS PACKAGED UNASSEMBLED.
- 2. STAINLESS STEEL PER ASTM A666.
- 3. PACKAGING MARKED WITH TE CONNECTIVITY, PART NO & DATE CODE.
- 4. ZINC PLATED .000200-.000400 THICK YELLOW CHROMATE COATING.
- 5. ZINC PLATED .000200-.000400 THICK CLEAR CHROMATE COATING.
- 6. PARTS INDIVIDUALLY BULK PACKED AND SHIPPED AS A UNIT PACKAGE.
- 7. PARTS PACKAGED AS A UNIT KIT.



3	6	5	5205980-5
3	7	5	5205980-4
3	6	4	5205980-3
3	7	4	5205980-1
MARKING	PACKAGING	SCREW FINISH	PART NO

THIS DRAWING IS A CONTROLLED DOCUMENT.		DWN S.WAITMAN 27JUN05	STE TE Connectivity		
DIMENSIONS: mm [INCHES]		CHK C.ROHDE 27JUN05			
TOLERANCES UNLESS OTHERWISE SPECIFIED:		APVD M.WALMSLEY 27JUN05	NAME		
0 PLC ± -		PRODUCT SPEC	KIT, SCREW RETAINER		
1 PLC ± -		APPLICATION SPEC	-		
2 PLC ± 0.13 [.005]		WEIGHT	SIZE A3	CAGE CODE 00779	DRAWING NO C-5205980
3 PLC ± -		MATERIAL SCREWS: CARBON STEEL RETAINERS: 2	RESTRICTED TO		SCALE 8:1 SHEET 1 OF 1 REV P
4 PLC ± -			-		
ANGLES ± -		CUSTOMER DRAWING			
FINISH					
SCREWS: SEE TABLE					